

Kaymar

Fitting Instructions



Vehicle **Nissan Y62**
Year **Series 1-4**
Type **Wagon**
Part **Rear Bar**

Applicable to Part Numbers
K3560, KITY62, KITY62-L-JCD, KITY62-R-JCD
K3570, KITY62-4-L-JCD, KITY62-4-R-JCD

See also related fitting instructions for reversing sensors, carriers and jerry can holders

Date published November 26, 2019

IMPORTANT - BEFORE COMMENCING INSTALLATION

Please verify the part number corresponds with the list above.

Read through these instructions and check items in the supplied fitting kit matches the attached list.

Every effort is made to ensure instructions are as accurate as possible at the time of publishing however work should not be commenced until the document has been thoroughly read, measurements checked and all components in the package verified as complete.

Kaymar has used reasonable care in preparing the information included in these documents, but makes no representations or warranties as to the completeness or accuracy of the information. Information is supplied upon the condition that the persons receiving the information will make their own determination as to its suitability for their purposes prior to use. Kaymar assumes no liability whatsoever for any damages incurred by you resulting from errors in or omissions from the information included herein. Kaymar reserves the right to make changes without further notice to any products to improve reliability, function or design.

Nissan Y62

Kaymar

Fitting Instructions



1. Remove original rear bumper and towbar (if fitted)
2. Remove both tail light assemblies by prising open plastic cover using a flat head screwdriver. Remove two bolts in tail light and one in the top of bumper.



3. Gently pull tail light assembly towards outside of vehicle to release plugs. Un-plug wiring harness from behind light and put light aside.
4. Remove plastic rivot, one either side from top of bumper. Remove mud flaps and screw that is hidden behind mud flap that holds bumper wiring in position.



5. Remove all bolts from under bumper and all other mounting brackets.

Kaymar

Fitting Instructions



6. Disconnect sensor harness and remove bumper, starting at mud flap end of bumper wing. Gently pull away from body to un-clip. Remove bumper and set aside on a non abrasive surface.
7. Remove sensor/sensor harness from bumper. Discard polyurethane bumper supports and two metal mounting brackets on rear face of chassis. These will not be re-used.

MARKING AND CUTTING BUMPER

8. Clip bumper back onto vehicle, making sure it sits back in its original position.
9. About 35mm above sensor hole, there is a natural line in bumper, mark down 25mm from this line and with a permanent marker and a ruler, draw a straight line across width of tailgate.



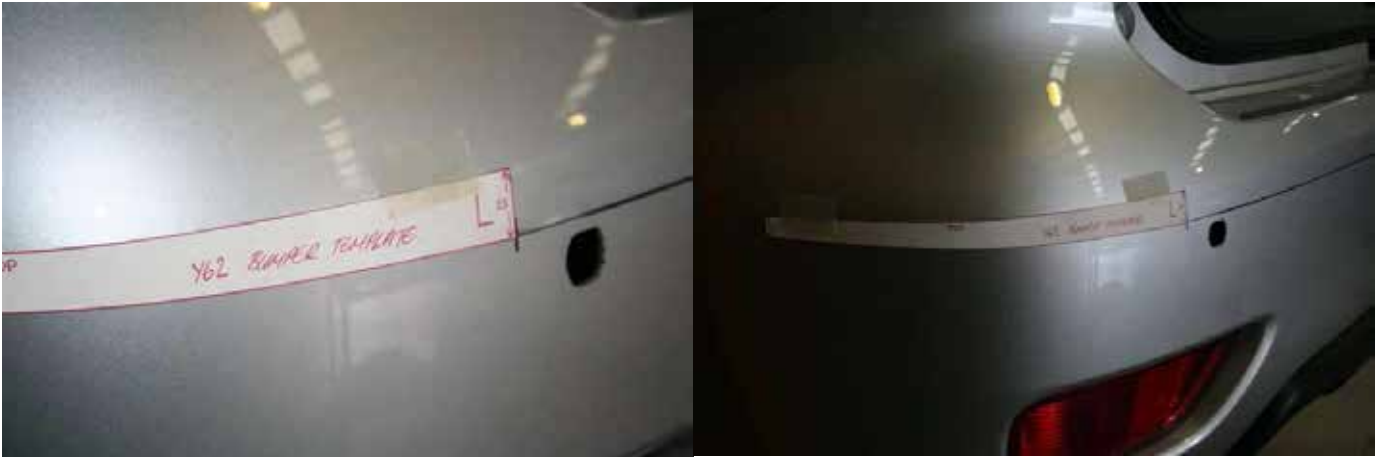
10. As seen in photo below, hold a ruler vertically against edge of bumper. Mark this position as this is where the cardboard template sits.



11. Position cardboard template on this mark. Making sure template is on the correct way. (TOP) is up and (L) or left is facing toward centre of vehicle. Wrap template around bumper corner following natural line in bumper. At the mark, flip the template over and mark right hand side the same way.

Kaymar

Fitting Instructions



12. Measure **vertically** down 100mm from the top edge of the bumper panel to the wheel arch. Mark the point on the edge of the bumper at the wheel arch then using a ruler, mark a line connecting the point at the wheel arch, to the line on the bottom edge of the template.



13. Check all measurements are correct. Then using a grinder with cutting disc. Cut on line. If cutting bumper while bumper is on vehicle, be careful not to cut through any vehicle wiring eg:- sensor harness.



Kaymar

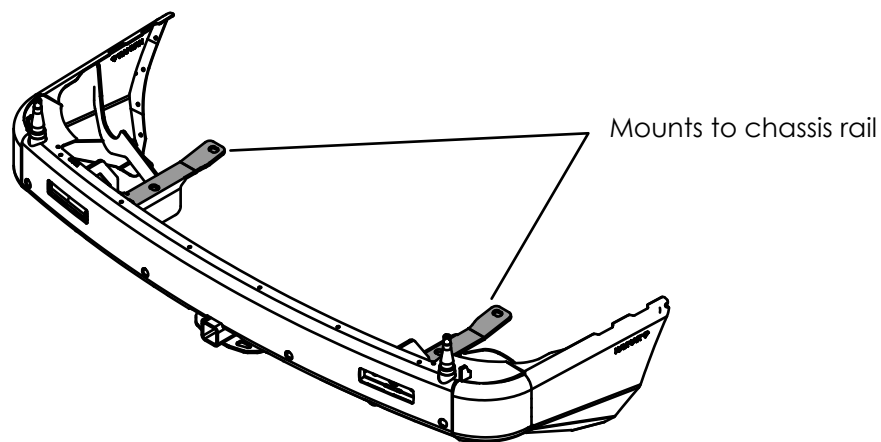
Fitting Instructions



14. Once bumper is cut, clean cut edge with a stanley knife blade. Fit pinch weld supplied to cut edge of bumper.

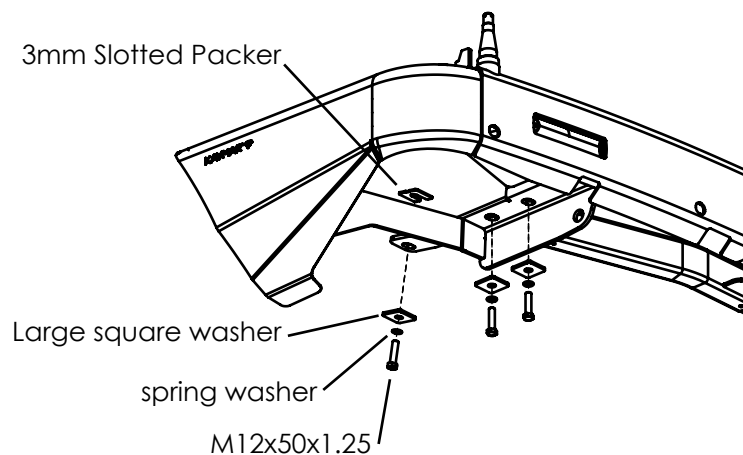


15. With another person, carefully lift the bar into position on the vehicle so that the 6 slotted holes on the Kaymar Bar sub-frame line up with the M12 mounting points on the underside of the chassis rail.



16. Fit the 6 x M12 x 50 x 1.25 bolts, spring washers and large square washers. If required you may want to use the 3mm slotted packers provided to adjust the the position of the Bar for a uniform fit.

DO NOT TIGHTEN.



Kaymar

Fitting Instructions



17. Fit 4 x M12 x 25 x 1.25 bolt, spring and flat washers to the 4 captive nuts in centre of chassis.



18. Tighten 6 x bolts in the bottom of chassis first. Sight along wing and bumper cut, there should be an even gap of 5-8mm. 3mm packers are supplied for any variation in body to chassis.
19. Once level, tighten all remaining bolts.

Kaymar

Fitting Instructions



21. Re-fit mud flaps using original screws in top of mud flap and , M6 x 60 pan head screw in bottom four holes. Secure using M6 nyloc nut. Tighten until mud flap sits just off end of wing.



22. Mark position of where mud flap bolt to original brackets. Drill out to 8mm and attach using original hardware.
23. Run a thin bead of silicon along underside of chequer plate curved edge. Place rubber strip along curved edge, run another bead of silicon along rubber strip. Fit to bar using stainless steel hex head screws and M6 flange nuts.

LED LIGHTS

Splice wiring supplied into Nissan trailer harness for LED lights following table below

Green	Right Hand Indicator
Yellow	Left hand Indicator
BrownTail	Light
Red	Stop
White	Earth
Black	Reverse

NOTE: For Reverse - unclip rear L/H trim to access the roof lining. In the centre of the roof there are three plugs. Unplug L/H plug and splice a wire to the RED/YELLOW wire. Feed the wire back through inside of the body down to the wiring harness.

24. If carriers or jerry can holder is to be fitted. See separate carrier/ jerry can instructions.



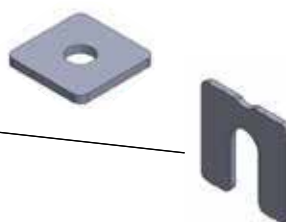
Kaymar

Fitting Instructions



BK3560 Y62 Series 1-4 PATROL REAR BAR

QUANTITY	DESCRIPTION
6	BOLT M12 X 50 X 1.25 FINE THREAD
4	BOLT M12 X 25 X 1.25 FINE THREAD
10	WASHER FLAT M12 X 30 HD
10	WASHER SPRING M12
4	NUT M12 X 1.75
8	SCREW PAN HEAD M6 X 60 (BLACK)
8	M6 NYLOC NUT
1	PINCH WELD 14MM STRIP LENGTH 3100MM
12	50x50x5MM LARGE SQUARE WASHER
6	50x50x3MM SINGLE SLOT PACKER



Template for Step 11